



KR 1000 titan F



Technical data

Maximum reach	3202 mm
Rated payload	1000 kg
Maximum payload	1000 kg
Maximum supplementary load, rotating column / link arm / arm	0 kg / 0 kg / 100 kg
Pose repeatability (ISO 9283)	± 0.1 mm
Number of axes	6
Mounting position	Floor
Footprint	2000 mm x 2000 mm
Weight	approx. 4700 kg

Axis data

Motion range	
A1	±150 °
A2	-130 ° / 17.5 °
A3	-110 ° / 145 °
A4	±350 °
A5	±118 °
A6	±350 °
Speed with rated payload	
A1	58 °/s
A2	50 °/s
A3	50 °/s
A4	60 °/s
A5	60 °/s
A6	72 °/s

Operating conditions

Ambient temperature during operation	10 °C to 55 °C (283 K to 328 K)
--------------------------------------	---------------------------------

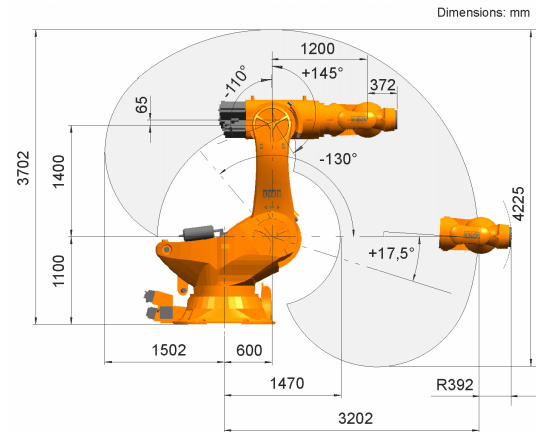
Protection rating

Protection rating (IEC 60529)	IP65
Protection rating, robot wrist (IEC 60529)	IP67

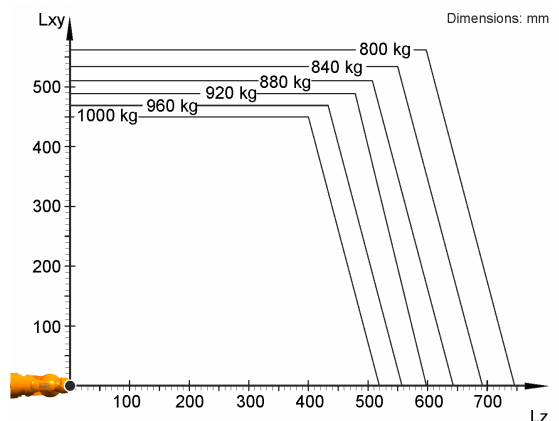
Controller

Controller	KR C4
------------	-------

Workspace graphic



Payload diagram



The KR 1000 titan F is designed for a rated payload of 1000 kg in order to optimize the dynamic performance of the robot. With reduced load center distances and favorable supplementary loads, a maximum payload of up to 1000 kg can be mounted. The specific KUKA Load case must be verified using KUKA. For further consultation, please contact KUKA Service.

Mounting flange

