

## ■ GECKO BATTERY | MOBILE WELDING TRACTOR

The GECKO BATTERY is a battery-powered welding tractor designed to produce continuous butt and fillet welds using MIG/MAG torches.

4-wheel drive system with magnetic traction and a feedback loop provide speed stabilization in all welding positions.

Constant, continuous and repeatable travel speed enables weld bead geometry that is exact to the required specifications, thus reducing costly over welding and substantially decreasing filler metal usage.

Optional accessories make Gecko Battery fit for various applications with carbon steel, stainless steel and aluminum.



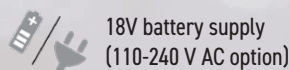
18 V DC battery with a capacity of 5.2 Ah provides energy for 6hrs average operation time.



GECKO BATTERY can also be connected to 110-240 V AC mains by means of power supply.

### ■ Applications:

- Trailer manufacturing
- Truck tanks
- Oil tanks
- Water storage tanks
- Transformers
- Shipyards
- Any application demanding a long, continuous fillet weld



18V battery supply  
(110-240 V AC option)



Continuous welding



Dual torch welding



Horizontal speed  
0-110 cm/min (0-43.3 in/min)



Dual arc ignition



Min. path convex radius 1000  
mm (3.5 ft)

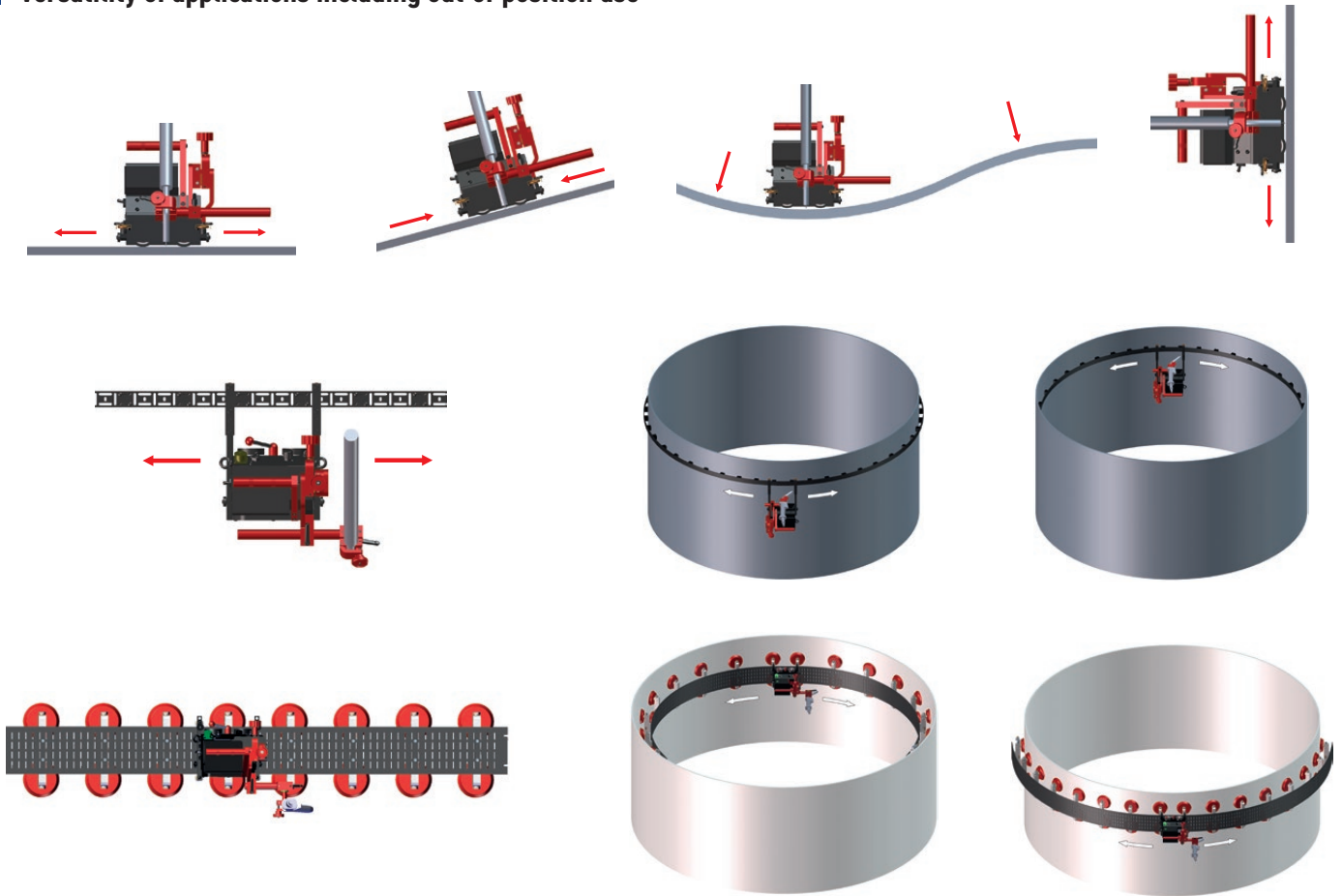


Min. path concave radius 1000  
mm (3.5 ft)



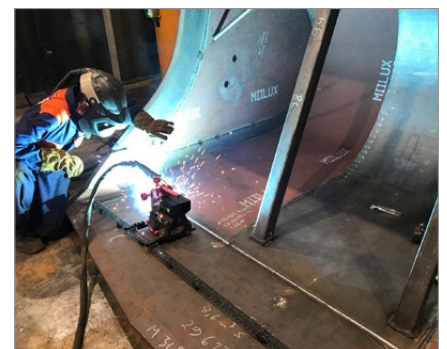
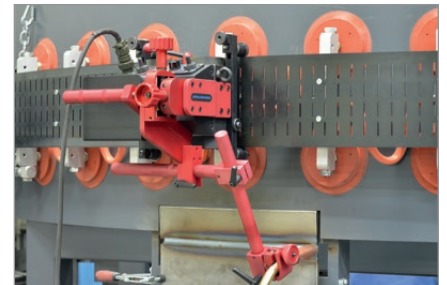
Weight 8.6 kg (19 lbs)

## Versatility of applications including out-of-position use



## Primary features and benefits of Gecko Battery Welding tractor:

- Compact, lightweight design with durable aluminum cast housing
- Convenient 18 V DC battery supply
- Optional power supply 110-240 V AC 50/60 Hz
- Strong magnetic traction permits out of position use
- Magnet on/off lever permits easy set up and adjustment on work piece
- Maintenance free 4-wheel drive with worm gear reduction
- Heat resistant silicone wheels
- Quick clamping torch holder mechanism for different types of MIG/MAG torches with diameters of 16-22 mm (5/8"-7/8"); optionally up to 35 mm (1-3/8")
- Precise torch adjustment with screw drive cross slide
- Multifunctional LED display - presetting of travel speed, units, error codes information
- Closed loop speed control system stabilizes travel speed to reduce weld defects and costly rework
- Consistent heat input reduces distortion
- Reduced wasted filler metal - eliminates over welding
- Automatic arc on/off system initiates welding with travel, simultaneously
- Capable of carrying and controlling two torches
- Self-guiding roller arms eliminate the need for track
- Multi-surface guiding with user-friendly adjustment of tractor position
- Improves working environment - removes operator from heat and fumes

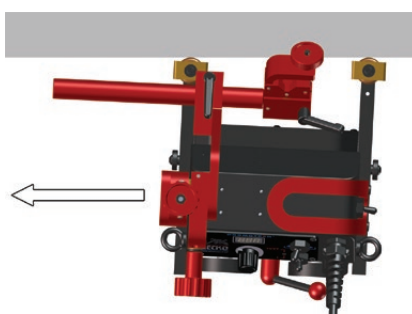


TECHNICAL SPECIFICATIONS GECKO BATTERY	
Voltage	18 V DC, 5.2 Ah
Power	20 W
Welding position (according to EN ISO 6947 and AWS/ASME)	PA / 1F / 1G PB / 2F PC / 2G PD / 4F PE / 4G
Torch diameter	16–22 mm (0.63–0.87"); up to 35 mm (1.38") option
Minimum radius of curved workpiece surface	1000 mm (3.5 ft)
Minimum workpiece thickness	4 mm (0.16")
Ground clearance	4 mm (0.16")
Horizontal pulling force	150 N
Cross slide adjustment range	0–35 mm (0–1.38") up-down, left-right
Horizontal speed*	0–110 cm/min (0–43.3 in/min)
Weight	8.6 kg (19 lbs)
Welding settings storage	1 (last used)
Product Code	WOZ-0526-10-00-00-0

\* With battery fully charged.

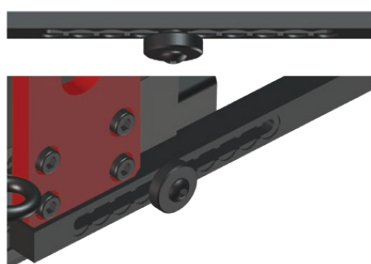
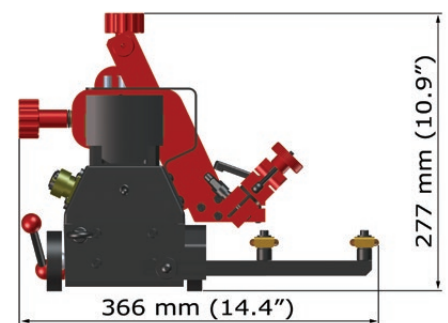
### ■ The newest improved guide arms family makes a proper welding tractor positioning even easier.

- 7 different guide types are dedicated to various welding applications and positions
- include a number of fixing grooves for your convenience
- enable simpler, easier and more consistent adjustment of how guide arms stick out
- secure proper tilting of the tractor into a direction of its movement
- maintain a permanent contact with the workpiece
- allow either interval or continuous guide arms adjustment

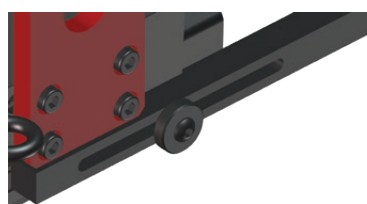


Each new guide arm has got a number of indented grooves only on one side.

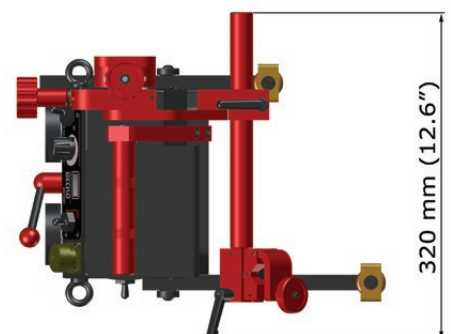
All types of guide arms are available in pairs of 2 pcs: right and left.



Interval adjustment of a degree how much the guide arms stick out



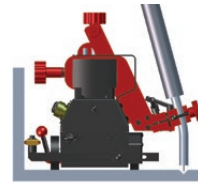
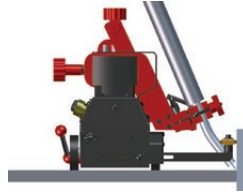
Continuous adjustment of a degree how much the guide arms stick out



## Standard accessories



PRW-0466-67-00-00-0  
Standard guide arms (set of 2 pcs)



AKM-000086  
5.2 Ah Battery



KBL-0466-17-00-00-0  
Dual arc ignition cable of 6.5 m (21 ft)



UCW-0466-04-00-00-0  
Torch holder long rod clamp assembly

## Optional accessories for variety of applications



ZSL-0526-20-00-00-0  
Power supply



PDT-0526-21-00-00-0  
Cable anchor



URZ-000001  
Fall arrester device



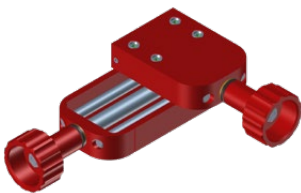
LDW-000006 (220-240 V, 50/60 Hz)  
LDW-000007 (120 V, 60 Hz)  
Battery charger



PWD-0466-18-00-00-0 (230 V CEE)  
PWD-0466-16-00-00-0 (115 V USA)  
PWD-0466-23-00-00-0 (115 V UK)  
Power cord 3 m (10 ft)



KOL-0466-72-00-00-0  
Stainless steel driving wheel



ZSP-0466-46-00-00-1  
Extended cross-slide  
0-76 mm (0-3") up-down,  
0-35 mm (0-1.38") left-right



PRD-0466-43-00-00-0  
Torch Extension Arm

WLK-0476-20-01-00-0  
Short Rod Clamp



OSL-0466-29-00-00-0  
Display shield



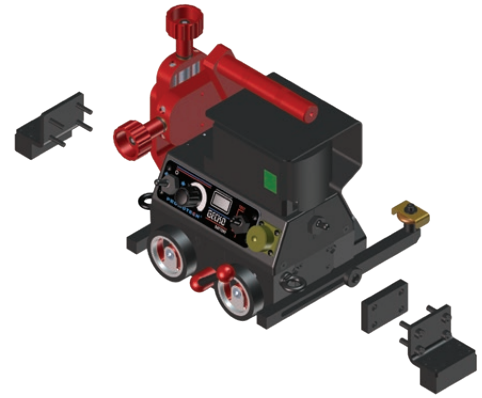
ZRZ-0466-19-00-00-0  
Torch clamp 22-35 mm



PDT-0466-40-00-00-0  
Dual Torch Mount



BLO-0466-44-01-00-0  
Magnet blocks (front)  
M5x25



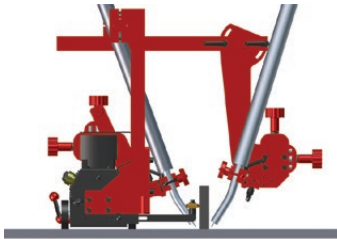
BLO-0466-47-01-00-0  
Magnet blocks (front) with  
increased power M5x25



BLO-0466-45-01-00-0  
Magnet blocks (back) M6x25  
incl. additional spacer plate required  
for Gecko Battery only



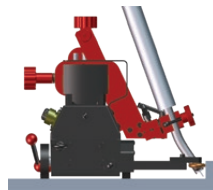
BLO-0466-48-01-00-0  
Magnet blocks (back) with  
increased power M6x25



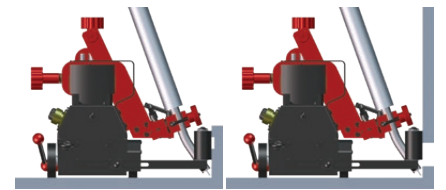
### Optional accessories for multi-surface guiding and variety of applications



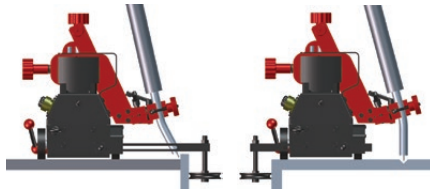
PRW-0466-65-00-00-1  
Low guide arms (set of 2 pcs)



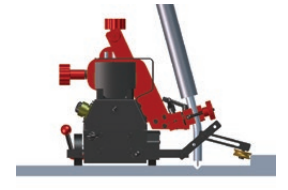
PRW-0466-66-00-00-1  
High guide arms (set of 2 pcs)



PRW-0466-41-00-00-1  
Edge following guide arms (set of 2 pcs)



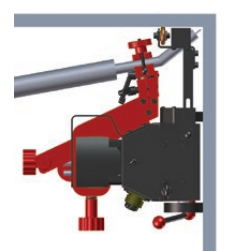
PRW-0466-42-00-00-1  
Adjustable guide arms (set of 2 pcs)

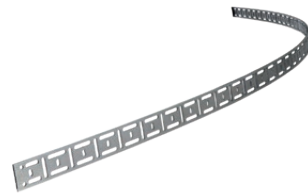


PRW-0466-50-02-00-1  
Track following guide arms (set of 2 pcs)



PRW-0466-52-00-00-1  
Magnet guide arms (set of 2 pcs)





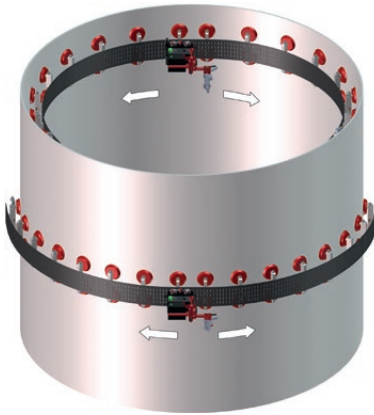
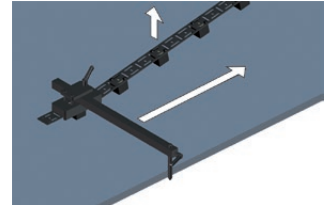
Flexible track length 185cm (6ft) 1pc  
Minimum curvature radius of 1.0 m (3.3 ft)  
PRW-0466-50-01-01-0



Magnetic block for flexible track  
box of 10 pcs  
BLO-0466-68-00-00-0



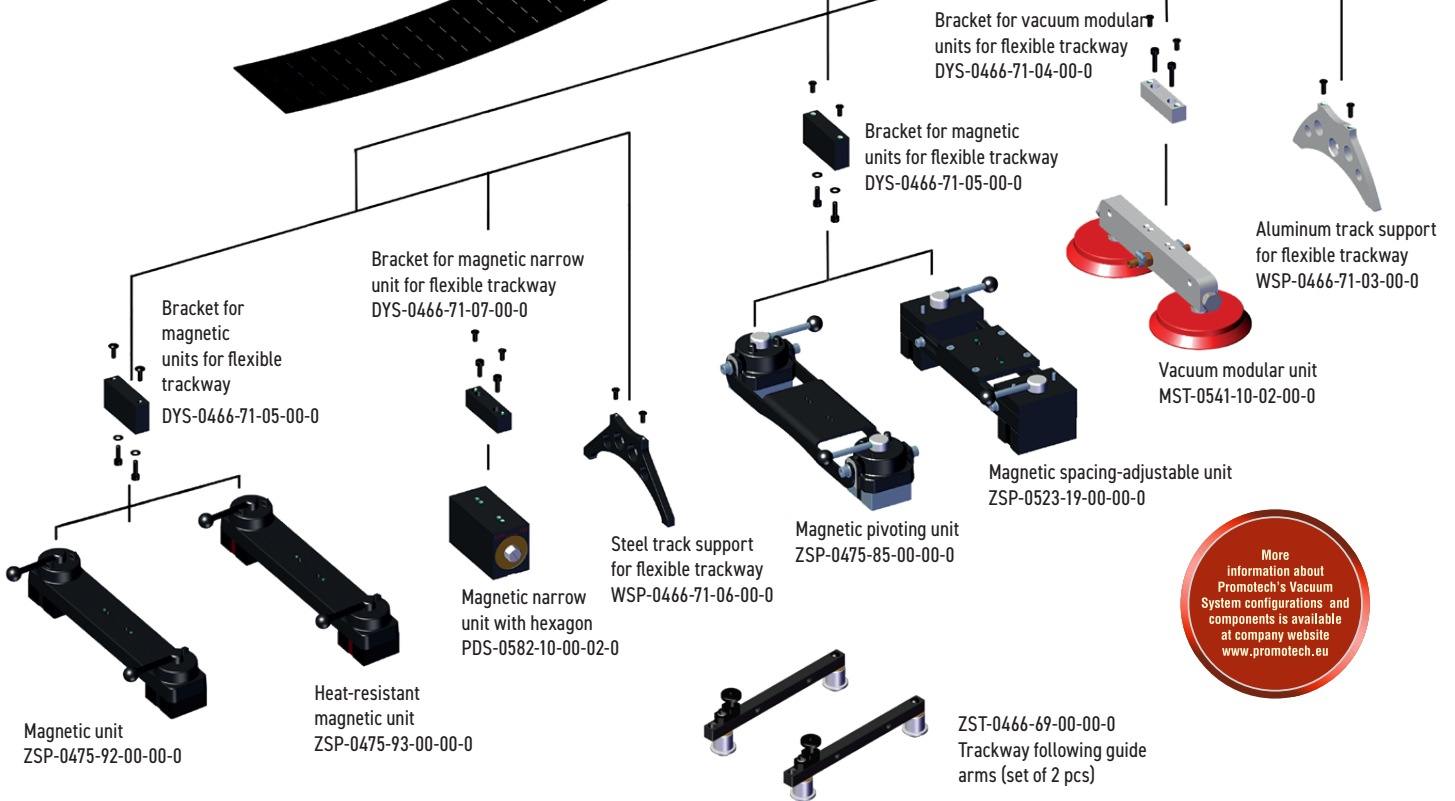
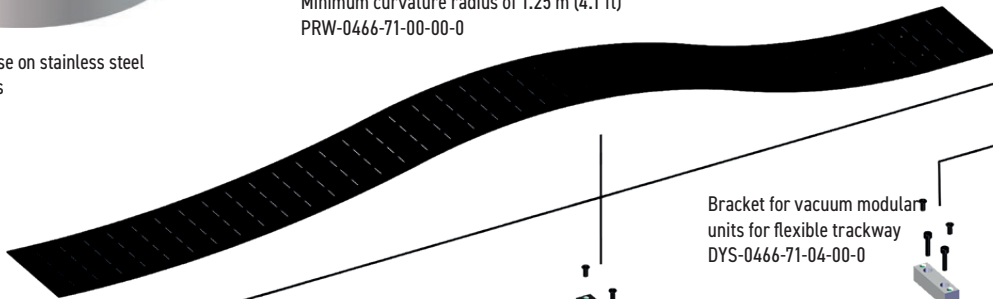
UST-0466-53-00-00-0  
Guide adjustment tool to position the track  
parallel to the edge



Vacuum units in use on stainless steel  
or aluminum tanks

Depending on sort of fixing units in use with flexible trackway, Gecko Battery welding tractor is suitable for applications with carbon steel, stainless steel and aluminum.

Flexible trackway length 1.88 m (6.1 ft).  
Minimum curvature radius of 1.25 m (4.1 ft)  
PRW-0466-71-00-00-0



More information about Promotech's Vacuum System configurations and components is available at company website [www.promotech.eu](http://www.promotech.eu)

More information at [www.promotech.eu](http://www.promotech.eu)



PROMOTECH Sp. z o.o.  
ul. Elewatorska 23/1, 15-620 BIAŁYSTOK, POLAND  
tel. (+48 85) 678 34 05, fax (+48 85) 662 78 77  
marketing@promotech.eu www.promotech.eu

Your local dealer:



All information is subject to change without notice. 21.04